

EP25AN
EP25ACN
EP30AN
EP30ACN
EP35AN



INTENSIVE PRODUCTIVITY

SPECIFICATIONS

ELECTRIC POWERED LIFT TRUCKS 80V, 2.5 - 3.5 TONNES



AGILE AND INTELLIGENT

THIS RANGE ANSWERS THE NEED FOR HIGH-POWERED PERFORMANCE IN APPLICATIONS WHERE IC ENGINE LIFT TRUCKS AND THEIR EMISSIONS ARE NOT PERMISSIBLE. DESIGNED TO COPE WITH INTENSIVE DUTIES AND TOUGH CONDITIONS, THE TRUCKS ARE HIGHLY PRODUCTIVE AND, AT THE SAME TIME, A PLEASURE TO DRIVE, THANKS TO THEIR AGILITY, INTELLIGENCE AND COMFORT.



The Cat® *Responsive Drive System (RDS)* seems to know how the driver wants the truck to behave at any moment. Reacting to the speed of accelerator pedal and hydraulic control movement, it instantly selects the most appropriate performance mode. *RDS* also smooths out all stops, starts and other actions.

Dynamic aids like *RDS*, *OmniTurn* all-wheel steering and intelligent curve control create a remarkably agile driving experience. When extra acceleration or climbing torque are needed, *PowerBurst* kicks in to give you a boost. Electric differential locking gives additional confidence in slippery conditions.

Smoother, faster and safer materials handling is enabled by advanced hydraulic technologies like *SmoothFlow*, which optimise mast and fork movements according to load weights and lift heights. Control is precise and effortless via the latest fingertip levers or joysticks.

The spacious, high-comfort cabin and its equipment are ergonomically designed to allow strain-free operation with minimal need for the driver to move. Features include a flat, unobstructed floor, adjustable seat and steering wheel, pedals at optimum angles and, to maximise the view, a specially inclined dashboard and counterweight.

LOWER COST OF OWNERSHIP

- Robust construction reduces repair and replacement needs and helps maintain truck's high residual value.
- *OmniTurn* all-wheel steering reduces tyre wear.
- Simple plug-in diagnostics and troubleshooting, together with easy access to components, reduces downtime and maintains efficient performance.
- Multi-function display encourages correct use and maintenance of truck.
- Sideways exchange option speeds up battery swaps.
- High energy efficiency and availability of ECO mode extends working hours (runtime) per battery charge.
- Li-ion battery option adds even greater efficiency and runtime, along with minimal maintenance needs and much longer life, for lower long-term total cost of operation (TCO).

UNMATCHED PRODUCTIVITY

- *PowerBurst* automatically delivers extra torque to maintain ramp speed or provide strong acceleration, even when carrying heavy loads.
- *Responsive Drive System (RDS)* adapts performance rapidly in reaction to speed of pedal and hydraulic control operation, and ensures all movements, stops and starts are smooth.
- *OmniTurn* all-wheel steering offers better grip, smoother turning and unbeatably agile manoeuvring, aided by a +100° rear turning axle which enables instant side turns with no initial backward movement.
- Electric differential lock maximises grip on slippery surfaces by locking front wheels to increase traction (activated automatically at small steering angles or manually via an optional pedal function).
- Intelligent curve control maximises cornering safety by smoothly adjusting truck speed and minimising side forces.
- Automatic tilt centring system offers dual functionality: slight downward fork angle for smooth pallet entry and exit without scraping or dragging; and fork levelling for stable load transport.
- *SmoothFlow* hydraulic system automatically adjusts to load weight, ensuring fast but smooth and precise control of all mast and fork actions – whether individual or simultaneous.
- Automatic hydraulic control tuning maintains steady mast and chassis movements when lifting above 2.5 metres*. (*Activation height depends on mast chosen.)
- Passive sway control allows mast tilting forces to be absorbed by chassis during higher lifts. (Applies mainly above 3.0 metres.)
- Li-ion option – with quick-connect access point – enhances performance and permits fast opportunity charging for continuous operation without battery changes.
- Pre-set ECO and PRO modes can be selected for different drivers and tasks, while customised settings (including lifting and lowering) can be applied by service engineers.

SAFETY AND ERGONOMICS

- Spacious operator compartment offers comfortable, adjustable seat, large, flat, uncluttered floor, and plenty of foot and head room.
- Easy, smooth entry/exit is aided by long grab handle and non-slip step.
- Easy-to-read colour display keeps drivers fully informed.
- Obstacle-free design gives a clear all-round view of the truck's surroundings and outer dimensions with no need to lean.
- Useful storage spaces include suitable pockets for tools, mobile devices, bottles, tape dispensers and pens.
- Weatherproof cabin options include transparent roof, steel or PVC doors, windscreen, two sliding windows on each side, rear window, front/rear wipers/washers, heater, and deluxe cabin.
- Spring-force-optimised fingertip hydraulic controls on adjustable, comfortable armrest ensure ergonomically perfect hand positioning, anatomical support and free movement.
- Dual joystick option separates functions such as clamp opening, to avoid accidental moves, and is especially useful if fingertip levers are too small for operation with gloves (or large hands).
- Ergonomic steering wheel has tilt-adjustable column for comfortable driving position with no need to lean forward.
- Pedal design, position and angles reduce fatigue for drivers of any height or foot size.
- Standard working lights include front and rear LEDs, with automatic reversing light, all protected within the overhead guard structure.
- Safety lights (optional) include red lines, highlighting exclusion boundary around truck, blue or red points (front and rear) warning pedestrians of truck's approach, and amber strobes.
- Standard safety features include operator presence pedal, hill hold, automatic park brake and wet disc brakes, for added confidence and control.

STANDARD EQUIPMENT AND OPTIONS

GENERAL	4 WHEEL 80V				
	EP25AN	EP25ACN	EP30AN	EP30ACN	EP35AN
4-wheel chassis, 80V, front wheel dual drive	●	●	●	●	●
Forks with a length of 1,070mm, equipped with load backrest	●	●	●	●	●
3-valve hydraulic fingertip control mounted on an ergonomic armrest	●	●	●	●	●
Key pre-set economy or high-performance mode (ECO / PRO)	●	●	●	●	●
Battery compartment side door	●	●	●	●	●
Multifunctional interactive full-colour display	●	●	●	●	●
Intelligent curve control	●	●	●	●	●
Tilttable steering column	●	●	●	●	●
TruckTool set-up and diagnostics	●	●	●	●	●
PDS (seat switch timeout = all functions are disabled; the truck will go into the stop mode, automatically applied parking brake)	●	●	●	●	●
Full-suspension vinyl Grammer MSG65 seat	●	●	●	●	●
CE name plates - language markings	●	●	●	●	●
Operations and Maintenance Manual	●	●	●	●	●
DIN battery connectors on frame	●	●	●	●	●
Battery door detection sensor	●	●	●	●	●
Fingertip control armrest	●	●	●	●	●
Manual control levers	○	○	○	○	○
Dual joysticks	○	○	○	○	○
POWER SOURCE					
Integrated Li-ion battery*	○	○	○	○	○
Lead-acid battery	○	○	○	○	○
FRAME					
Battery sideways exchange (SWE) chassis	○	○	○	○	○
Roller bed, chassis integrated (for battery SWE)	○	○	○	○	○
Battery tray (for roller-guided battery SWE)	○	○	○	○	○
Battery sideways exchange tool**	○	○	○	○	○
Li-ion battery easy charging	○	○	○	○	○
T-bar battery stand	○	○	○	○	○
LIGHTING					
LED work lights (2 at front and 1 at rear)	●	●	●	●	●
Automated reversing light	●	●	●	●	●
Auto light switch	○	○	○	○	○
Amber strobe	○	○	○	○	○
Amber strobe mounted low	○	○	○	○	○
'Red point' rear light	○	○	○	○	○
'Red point' rear light mounted low	○	○	○	○	○
'Red point' front light	○	○	○	○	○
'Blue point' rear light	○	○	○	○	○
'Blue point' rear light mounted low	○	○	○	○	○
'Blue point' front light	○	○	○	○	○

* Li-ion battery option is available in selected regions.

** Backwards compatible with the EP14-20A(C)NT, EP16-20A(C)N and EP25-35(C)N ranges.

ELECTRICAL SYSTEM	4 WHEEL 80V				
	EP25AN	EP25ACN	EP30AN	EP30ACN	EP35AN
Smart reversing alarm	○	○	○	○	○
Current output	○	○	○	○	○
12V connector	○	○	○	○	○
Operator presence pedal	○	○	○	○	○
Electric differential lock	○	○	○	○	○
Dual pedal layout	○	○	○	○	○
Drive direction selection switch on ergonomic armrest (forward-backward) (only with fingertip controls)	●	●	●	●	●
Drive direction lever in steering column (forward-neutral-reverse)	○	○	○	○	○
Road light kit	○	○	○	○	○
PIN code access with start switch	○	○	○	○	○
Automated lift controls	●	●	●	●	●
Automatic tilt centring via the F2 button with FC TILT/C	○	○	○	○	○
Load weight indicator	●	●	●	●	●
OPERATOR'S CABIN					
Grammer MSG65 seat	●	●	●	●	●
Grammer MSG65 with heater	○	○	○	○	○
Grammer MSG65 with cloth upholstery	○	○	○	○	○
Grammer MSG65 with cloth upholstery and heater	○	○	○	○	○
Grammer MSG75	○	○	○	○	○
Grammer MSG75 with heater	○	○	○	○	○
Grammer MSG75 with cloth upholstery	○	○	○	○	○
Grammer MSG75 with cloth upholstery and heater	○	○	○	○	○
Backrest extension	○	○	○	○	○
ACCESSORIES					
Rear view mirror	○	○	○	○	○
External rear view mirror	○	○	○	○	○
Dead angle mirror	○	○	○	○	○
Wide view mirror	○	○	○	○	○
A4 size paper holder	○	○	○	○	○
Accessory clamp	○	○	○	○	○
Fire extinguisher	○	○	○	○	○

● Standard ○ Option

For more information about standard and available optional equipment, please contact your dealer.

STANDARD EQUIPMENT AND OPTIONS CONTINUED

	4 WHEEL 80V				
	EP25AN	EP25ACN	EP30AN	EP30ACN	EP35AN
CABIN					
Steel doors, available in combination with options REAR and FR+TP	●	●	●	●	●
PVC doors, available in combination with options REAR and FR+TP	○	○	○	○	○
Sun visor, available in combination with option FR+TP	○	○	○	○	○
Interior package, available in combination with REAR and door	○	○	○	○	○
Heater, available in combination with REAR and steel doors, 2000W	○	○	○	○	○
Safety doors	○	○	○	○	○
Container design (available only with sideways battery exchange option)	○	○	○	○	○
Deluxe cabin	○	○	○	○	○
EXTERIOR					
Special colour (RAL) for the frame and counterweight	○	○	○	○	○
FORKS & CARRIAGE					
Various fork lengths (920 - 1970mm), widths (100/120mm) and thicknesses (40/45mm), fork deletion	○	○	○	○	○
Side shifter W1000mm	○	○	○	○	○
Integrated side shifter W1000mm	○	○	○	○	○
Fork positioner + integrated side shifter	○	○	○	○	○
Load backrest	●	●	●	●	●

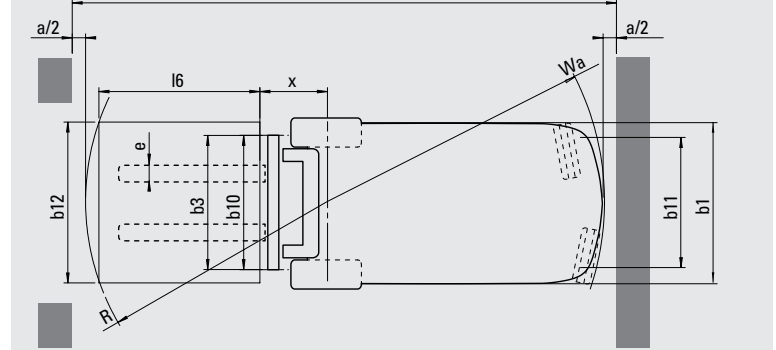
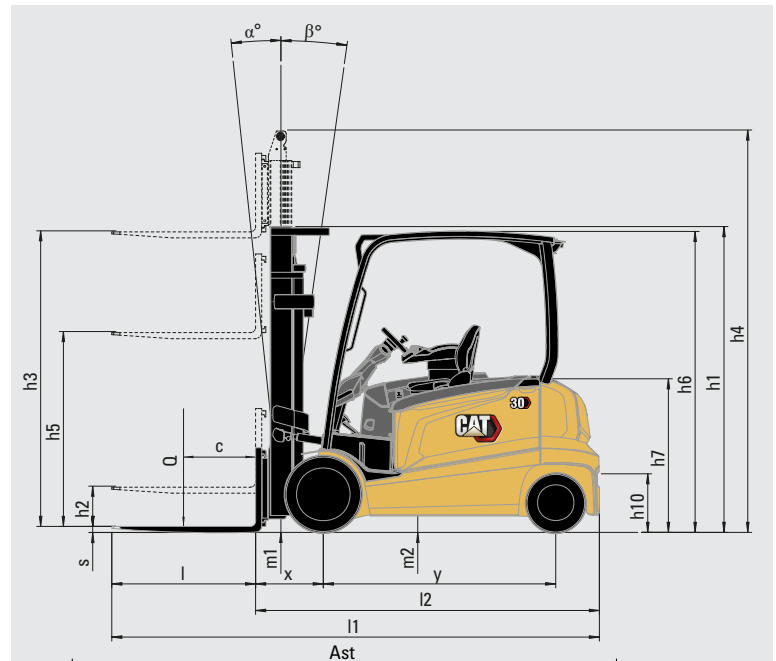
	4 WHEEL 80V				
	EP25AN	EP25ACN	EP30AN	EP30ACN	EP35AN
HYDRAULIC SYSTEM					
3/4/5-way valve armrest-mounted fingertip control	○	○	○	○	○
3/4-way valve manual control	○	○	○	○	○
Lift control	○	○	○	○	○
Double action FC 3 v, for clamp usage	○	○	○	○	○
Double action FC 4 v, for clamp usage	○	○	○	○	○
Double action MC 3 v, for clamp usage	○	○	○	○	○
Double action MC 4 v, for clamp usage	○	○	○	○	○
Hydraulic accumulator	○	○	○	○	○
Adjustable hydraulic pressure (for 3rd and 4th valve)	○	○	○	○	○
Food grade hydraulic oil	○	○	○	○	○
Biodegradable hydraulic oil	○	○	○	○	○
Cold area hydraulic oil VG15	○	○	○	○	○
Hot area hydraulic oil VG46	○	○	○	○	○
3-way piping	○	○	○	○	○
4-way piping	○	○	○	○	○
TYRES					
Solid pneumatic tyres	●	●	●	●	●
Pneumatic tyres	○	○	—	—	—
Non-marking solid tyres	○	○	—	—	—
Non-marking cushion tyres	○	○	○	○	○
Cushion tyres	○	○	○	○	○
Solid pneumatic twin tyres	○	○	○	○	○
Wide stance drive wheels	○	○	○	○	○

● Standard ○ Option

For more information about standard and available optional equipment, please contact your dealer.

1.0 Characteristics		
1.1	Manufacturer (abbreviation)	
1.2	Manufacturer's model designation	
1.3	Power source: (battery, diesel, LPG, petrol)	
1.4	Operator type: pedestrian, (operator) - standing, - seated	
1.5	Load capacity	Q (kg)
1.6	Load centre distance	c (mm)
1.8	Load distance, axle to fork face	x (mm)
1.9	Wheelbase	y (mm)
2.0 Weight		
2.1	Truck weight, without load / including battery (simplex mast, lowest lift height)	kg
2.2	Axle loading with maximum load, front / rear (simplex mast, lowest lift height)	kg
2.3	Axle loading without load, front / rear (simplex mast, lowest lift height)	kg
3.0 Wheels, Drive Train		
3.1	Tyres: V = solid, L = pneumatic, SE = solid pneumatic - front / rear	
3.2	Tyre dimensions, front	
3.3	Tyre dimensions, rear	
3.5	Number of wheels, front / rear (x = driven)	
3.6	Track width (centre of tyres), front	b10 (mm)
3.7	Track width (centre of tyres), rear	b11 (mm)
4.0 Dimensions		
4.1	Mast tilt, forwards / backwards	∂ / β °
4.2	Height with mast lowered (see tables)	h1 (mm)
4.3	Free lift (see tables)	h2 (mm)
4.4	Lift height (see tables)	h3 (mm)
4.5	Overall height with mast raised	h4 (mm)
4.7	Height to top of overhead guard	h6 (mm)
4.8	Seat height	h7 (mm)
4.12	Tow coupling height	h10 (mm)
4.19	Overall length	l1 (mm)
4.20	Length to fork face (includes fork thickness)	l2 (mm)
4.21	Overall width	b1 / b2 (mm)
4.22	Fork dimensions (thickness, width, length)	s / e / l (mm)
4.23	Fork carriage to DIN 15 173 A / B / no	
4.24	Fork carriage width	b3 (mm)
4.31	Ground clearance under mast, with load	m1 (mm)
4.32	Ground clearance at centre of wheelbase, with load (forks lowered)	m2 (mm)
4.33	Working aisle width with 1000 x 1200 mm pallets, crosswise	Ast (mm)
4.34a	Working aisle width with 800 x 1200 mm pallets, crosswise	Ast (mm)
4.34b	Working aisle width with 800 x 1200 mm pallets, lengthwise	Ast (mm)
4.35	Turning circle radius	Wa (mm)
4.36	Minimum distance between centres of rotation	b13 (mm)
5.0 Performance		
5.1	Travel speed, with / without load	km / h
5.2	Lifting speed, with / without load	m / s
5.3	Lowering speed, with / without load	m / s
5.5	Rated drawbar pull, with / without load	N
5.6	Maximum drawbar pull, with / without load (5 min short duty)	N
5.7	Gradeability, with / without load	%
5.8	Maximum gradeability with / without load	%
5.9	Acceleration time (10 metres) with / without load	s
5.10	Service brakes (mechanical / hydraulic / electric / pneumatic)	
6.0 Electric motor		
6.1	Drive motor capacity (60 min. short duty)	kW
6.2	Lift motor output at 15% duty factor	kW
6.3	Battery to DIN 43 531 / 35 / 36 A / B / C / no	
6.4	Battery voltage / capacity at 5-hour discharge	V / Ah
6.5	Battery weight	kg
8.0 Miscellaneous		
8.1	Type of drive control	
10.1	Maximum operating pressure for attachments	bar
10.2	Oil flow for attachments	l / min
10.7	Noise level, value at operator's ear (EN 12053)	dB (A)
10.8	Towing coupling, type DIN 15170	

Cat Lift Trucks	Cat Lift Trucks	Cat Lift Trucks	Cat Lift Trucks	Cat Lift Trucks
EP25AN	EP25ACN	EP30AN	EP30ACN	EP35AN
Electric	Electric	Electric	Electric	Electric
Seated	Seated	Seated	Seated	Seated
2500	2500	3000	3000	3500
500	500	500	500	500
476	476	504	504	504
1730	1585	1730	1585	1730
4737	4584	5230	5222	5654
6301/937	6296/788	7348/882	7351/870	8183/971
2390/2347	2256/2328	2607/2623	2450/2771	2651/3002
SE	SE	SE	SE	SE
23 x 9 - 10	23 x 9 - 10	23 x 10 - 12	23 x 10 - 12	23 x 10 - 12
18 x 7 - 8	18 x 7 - 8	18 x 7 - 8	18 x 7 - 8	18 x 7 - 8
2 x / 2	2 x / 2	2 x / 2	2 x / 2	2 x / 2
985	985	950	950	950
970	970	970	970	970
6 / 8	6 / 8	6 / 8	6 / 8	6 / 8
2145	2145	2165	2165	2291
100	100	100	100	100
3300	3300	3270	3270	3300
4355	4355	4325	4325	4345
2240	2240	2240	2240	2240
1130	1130	1130	1130	1130
395	395	395	395	395
3600	3459	3628	3487	3628
2530	2389	2558	2417	2558
1190	1190	1190	1190	1190
40 x 100 x 1100	40 x 100 x 1100	45 x 120 x 1100	45 x 120 x 1100	45 x 120 x 1100
2A	2A	3A	3A	3A
1000	1000	1000	1000	1000
105	105	115	115	115
122	122	122	122	122
3805	3660	3830	3690	3830
3749	3605	3773	3629	3773
3960	3815	3985	3840	3985
2064	1920	2064	1920	2064
160	160	160	160	160
2 x 8	2 x 8	2 x 8	2 x 8	2 x 8
20.8	20.8	25.5	25.5	25.5
43536A	43536A	43536A	43536A	43536A
80 / 700 - 775	80 / 560 - 620	80 / 700 - 775	80 / 560 - 620	80 / 700 - 775
1863	1558	1863	1558	1863
AC	AC	AC	AC	AC
185	185	185	185	205
30	30	30	30	30
65	65	66	66	66
DIN 15170 - H	DIN 15170 - H	DIN 15170 - H	DIN 15170 - H	DIN 15170 - H



Ast = Working aisle width with load

$$Ast = Wa + \sqrt{(l6 + x)^2 + \left(\frac{b12}{2} - b13\right)^2} + a$$

Wa = Turning radius

x = Load distance, axle to fork face

l6 = Pallet length (800 or 1000 mm)

a = Safety clearance

b12 = Pallet width

* h7 values recorded with MSG65 seat type.

Mast Performance and Capacity

- h1 Height with mast lowered
- h2 Standard free lift
- h3 Lift height
- h4 Height with mast raised
- h5 Full free lift
- Q Lifting capacity, rated load
- c Load centre (distance)

EP25ACN / EP25AN					
Mast Type	h3	h1	h4	h2/h5	tilt angle (fwd-rev) ^o Standard
	mm	mm	mm	mm	
Simplex	3000	1995*	4055	100	6/8
	3300	2145*	4355	100	6/8
	3740	2410	4795	100	6/8
	4100	2590	5155	100	6/8
	4500	2800	5555	100	6/8
	5000	3050	6055	100	6/8
	5500	3300	6555	100	6/4
	6000	3550	7055	100	6/4
Duplex	3000	1995*	4055	940	6/8
	3300	2145*	4355	1090	6/8
	3700	2410	4755	1355	6/8
	4020	2590	5075	1535	6/8
Triplex	3730	1805*	4785	750	6/6
	4030	1905*	5085	850	6/6
	4300	1995*	5355	940	6/6
	4750	2145*	5805	1090	6/6
	5060	2265	6115	1210	6/6
	5500	2410	6555	1355	6/6
	5990	2590	7045	1535	6/4
	6500	2850	7555	1795	6/4
7000	3050	8055	1995	6/4	

EP25ACN		EP25AN	
Q @ c=500mm kg	Q @ c=600mm kg	Q @ c=500mm kg	Q @ c=600mm kg
2500	2250	2500	2250
2500	2250	2500	2250
2500	2250	2500	2250
2500	2250	2500	2250
2500	2250	2500	2250
2475	2250	2500	2250
2400	2225	2450	2250
2000	2000	2000	2000
2500	2250	2500	2250
2500	2250	2500	2250
2500	2250	2500	2250
2500	2250	2500	2250
2500	2250	2500	2250
2500	2250	2500	2250
2500	2250	2500	2250
2450	2250	2500	2250
2350	2200	2500	2250
2275	2075	2375	2225
2075	2025	1925	1925
1575	1575	1475	1475

EP30ACN / EP30AN						
Mast Type	h3	h1	h4	h2/h5	tilt angle (fwd-rev) ^o Standard	
	mm	mm	mm	mm		
Simplex	3030	2015*	4083	145	6 - 8	
	3270	2135*	4323	145	6 - 8	
	3700	2400	4753	145	6 - 8	
	4000	2580	5053	145	6 - 8	
	4500	2840	5553	145	6 - 8	
	5000	3090	6053	145	6 - 8	
	5500	3340	6553	145	6 - 4	
	6000	3605	7053	145	6 - 4	
	Duplex	3000	2025*	4053	973	6 - 8
		3250	2145*	4303	1093	6 - 8
3700		2410	4753	1358	6 - 8	
4010		2590	5063	1538	6 - 8	
Triplex		3690	1805*	4743	753	6 - 6
	3990	1905*	5043	853	6 - 6	
	4320	2025*	5373	973	6 - 6	
	4700	2145*	5753	1093	6 - 6	
	5060	2265	6113	1213	6 - 6	
	5450	2410	6503	1358	6 - 6	
	5970	2590	7023	1538	6 - 4	
	6470	2850	7523	1798	6 - 4	
	7000	3050	8053	1998	6 - 4	

EP30ACN	EP30ACN	EP30AN	EP30AN
Q @ c=500mm kg	Q @ c=600mm kg	Q @ c=500mm kg	Q @ c=600mm kg
3000	2700	3000	2700
3000	2700	3000	2700
3000	2700	3000	2700
3000	2700	3000	2700
3000	2700	3000	2700
2900	2700	3000	2700
2800	2600	2925	2700
2675	2475	2625	2575
3000	2700	3000	2700
3000	2700	3000	2700
3000	2700	3000	2700
3000	2700	3000	2700
3000	2700	3000	2700
3000	2700	3000	2700
3000	2700	3000	2700
2950	2700	3000	2700
2875	2650	3000	2700
2800	2600	2900	2700
2625	2475	2725	2575
1975	1975	2075	2075
1425	1425	1575	1575

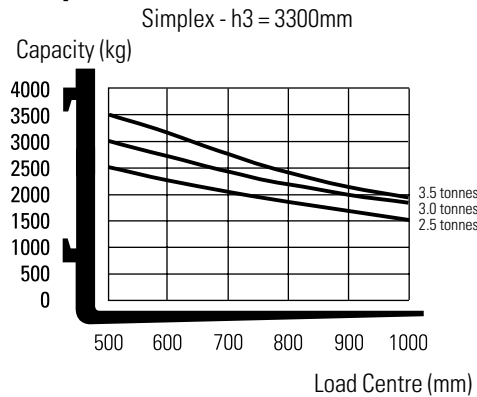
* Lower than overhead guard
 ** Without load back rest free lift height is increased by 395mm

* Lower than overhead guard
 ** Without load back rest free lift height is increased by 350mm

EP35AN							
Mast Type	h3	h1	h4	h2/h5	tilt angle (fwd-rev) ^o Standard	Q @ c=500mm kg	Q @ c=600mm kg
	mm	mm	mm	mm			
Simplex	3000	2170*	4045	100	6/8	3500	3150
	3300	2290	4345	100	6/8	3500	3150
	3720	2500	4765	100	6/8	3500	3150
	4000	2755	5045	100	6/8	3500	3150
	4500	3000	5545	100	6/8	3500	3150
	5000	3250	6045	100	6/8	3500	3150
	5500	3500	6545	100	6/4	3400	3150
	6000	3750	7045	100	6/4	2775	2775
Duplex	3010	2170*	4055	1125	6/8	3500	3150
	3300	2290	4345	1245	6/8	3500	3150
	3720	2615	4765	1570	6/8	3500	3150
	4000	2755	5045	1710	6/8	3500	3150
Triplex	3730	1930*	4775	885	6/6	3500	3150
	4010	2050*	5055	1005	6/6	3500	3150
	4390	2170*	5435	1125	6/6	3500	3150
	4700	2290	5745	1245	6/6	3500	3150
	5030	2435	6075	1390	6/6	3450	3150
	5580	2615	6625	1570	6/6	3175	3075
	5990	2755	7045	1710	6/4	2875	2875
	6510	2930	7555	1885	6/4	2225	2225
	7000	3125	8045	2080	6/4	1675	1675

* Lower than overhead guard
 ** Without load back rest free lift height is increased by 240mm

Capacities at various load centres



Battery Dimensions

Battery voltage	V
Capacity at 5-hour discharge	Ah
Battery weight, (+/-5%)	kg
Battery box dimensions	
Length	mm
Width	mm
Height	mm
Battery compartment size	
Length	mm
Width	mm
Height*	mm

* 5mm tolerance

EP25AN	EP25ACN	EP30AN	EP30ACN	EP35AN
80	80	80	80	80
700-775	560-620	700-775	560-620	700-775
1863	1558	1863	1558	1863
Battery box dimensions				
1028	1028	1028	1028	1028
855	711	855	711	855
784	784	784	784	784
Battery compartment size				
1056	1056	1056	1056	1056
865	720	865	720	865
790	790	790	790	790

CAT® LI-ION BATTERIES

TIME TO SWITCH?



Lithium-ion (Li-ion) battery technology is now available as an option in almost all Cat® electric counterbalance and warehouse truck ranges. While lead-acid batteries remain a popular choice for our customers, and still have much to offer, they present various challenges which Li-ion can overcome.

Perhaps the most noticeable change when switching to Li-ion is the use of opportunity charging. Instead of exchanging batteries between shifts, you can simply plug into a fast charger during short breaks and keep the same battery going 24/7. This, together with other efficiency, environmental and safety benefits, makes Li-ion a very appealing alternative.



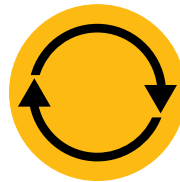
**LONGER
LIFE**



**HIGHER
EFFICIENCY**



**LONGER
RUNTIME**



**CONSISTENT
PERFORMANCE**



**FASTER
CHARGING**



**NO BATTERY
CHANGING**



**NO DAILY
MAINTENANCE**



**INBUILT
PROTECTION**

Cat Li-ion advantages over lead-acid

Switching to Li-ion requires a higher initial investment, but this should be viewed against Li-ion's ongoing savings on energy, equipment, labour and downtime.

- **Longer life** – 3 to 4 times lead-acid lifespan – reduces overall battery investment
- **Higher efficiency** – energy losses during charging and discharging are up to 30% lower, so electricity consumption is reduced
- **Longer runtime** – thanks to more efficient battery performance and use of opportunity charges, which can be given at any time without damaging the battery or shortening its lifespan
- **Consistently high performance** – with a more constant voltage curve – maintains greater truck productivity, even toward the end of a shift
- **Faster charging** – enables full charge in as little as 1 hour with the fastest chargers
- **No battery changing** – fast opportunity charges – 15 minutes for several hours of extra runtime – enable continuous operation with just one battery and minimise the need to buy, store and maintain spares
- **No daily maintenance** – the battery stays on board the truck for charging and there is no need for water top-ups or electrolyte checks
- **No gas** – or acid spills – avoids the space, equipment and running costs of a battery room and ventilation system
- **Inbuilt protection** – intelligent battery management system (BMS) automatically prevents excessive discharge, charge, voltage and temperature, as well as virtually eliminating misuse

Batteries and chargers with different capacities are available. Your dealer will identify the best combination for your needs. You should also ask your dealer about optional 5-year warranties, subject to annual check-ups, which give extra peace of mind.

info@catliftruck.com | www.catliftruck.com

CE5C2176(11/22) © 2022 MLE B.V. (registration no. 33274459). All rights reserved. CAT, CATERPILLAR, LET'S DO THE WORK, their respective logos, "Caterpillar Corporate Yellow", the "Power Edge" and Cat "Modern Hex" trade dress as well as corporate and product identity used herein, are trademarks of Caterpillar and may not be used without permission.

NOTE: Performance specifications may vary depending on standard manufacturing tolerances, vehicle condition, types of tyres, floor or surface conditions, applications, or operating environment. Trucks may be shown with non-standard options. Specific performance requirements and locally available configurations should be discussed with your Cat lift trucks Dealer. Cat Lift Trucks follows a policy of continual product improvement. For this reason, some materials, options and specifications could change without notice.



**DOWNLOAD
BROCHURE**



**WATCH
VIDEOS**



**DOWNLOAD
OUR APP**

